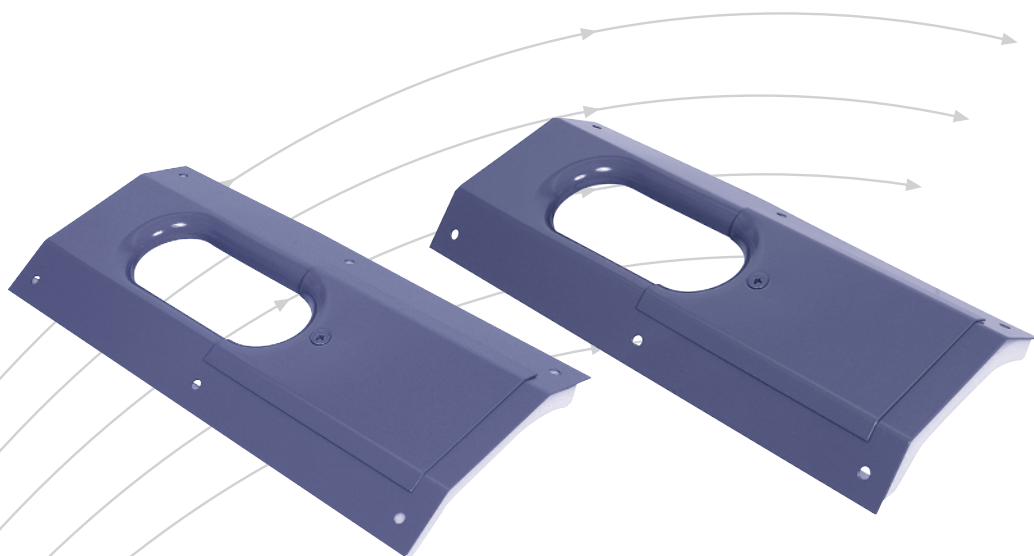


Space Exhaust Air Valve

Type RA and R



TROX® **TECHNIK**



TROX HESCO Schweiz AG
Walderstrasse 125
Postfach 455
CH - 8630 Rüti /ZH

Tel. +41 (0)55 250 71 11
Fax +41 (0)55 250 73 10
www.troxhesco.ch
info@troxhesco.ch

Contents

Application · Realisation · Dimensions	2
Installation	3
Technical Data	4 and 5
Order Details	6

Application

The Space exhaust air valves can be used in baths, WC's, shower rooms, office, sales rooms etc., thus everywhere, where attention is paid to easy cleaning and easy adjustment.

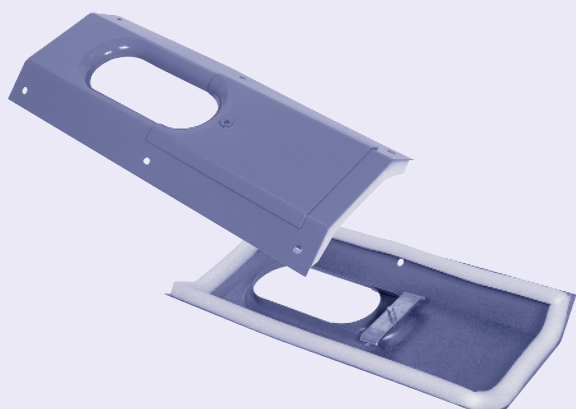
The exhaust air rate is simply adjustable by slidegate on the rectangular, aerodynamically formed exhaust air valve.

Realisation

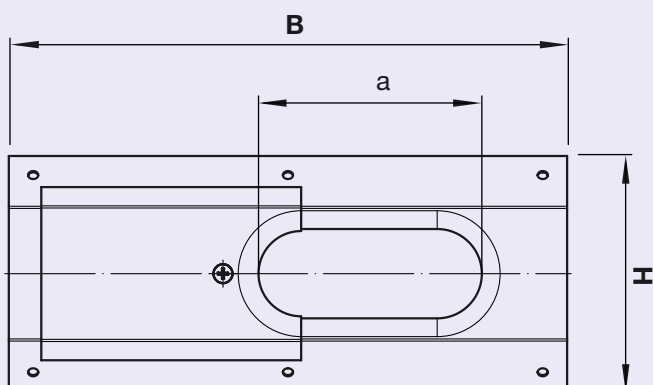
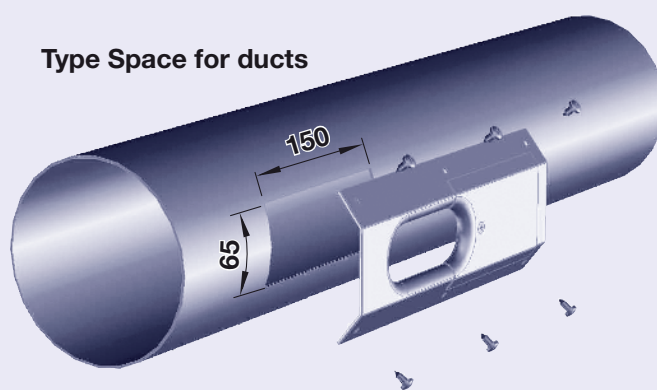
Material: steel sheet, grey powder coated according to RAL 7037

Type Space RA

Rectangular front plate for connection to circular ducts
Ø160 - 200 mm
Air volume rate: 50 - 220 m³/h

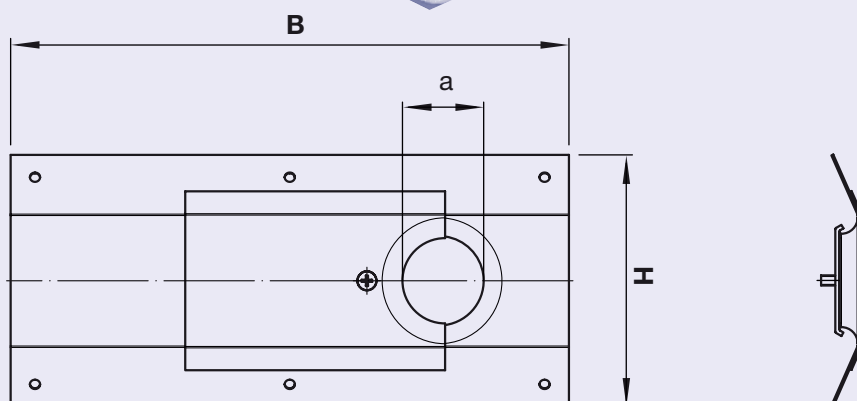
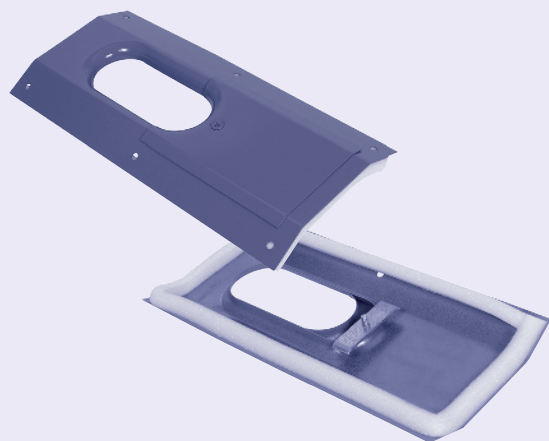


Type Space for ducts

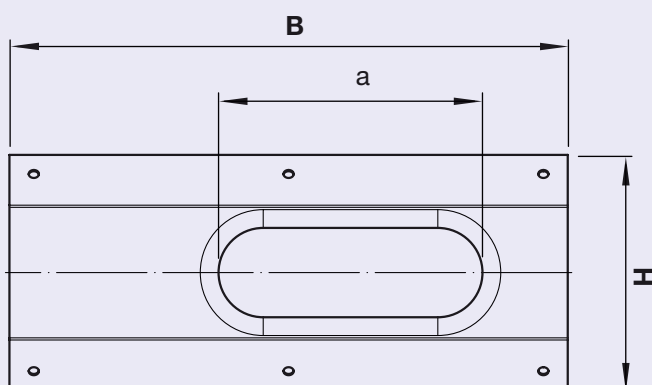


Type Space R

Rectangular front plate for connection to circular ducts Ø250 - 1000 mm
Air volume rate: 50 - 220 m³/h



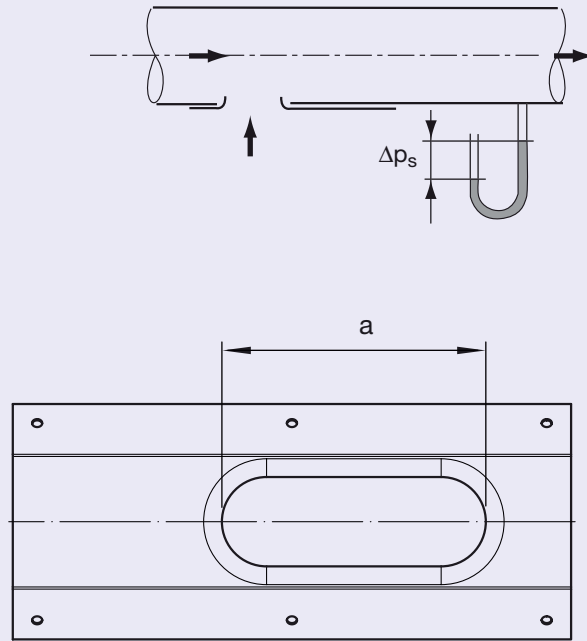
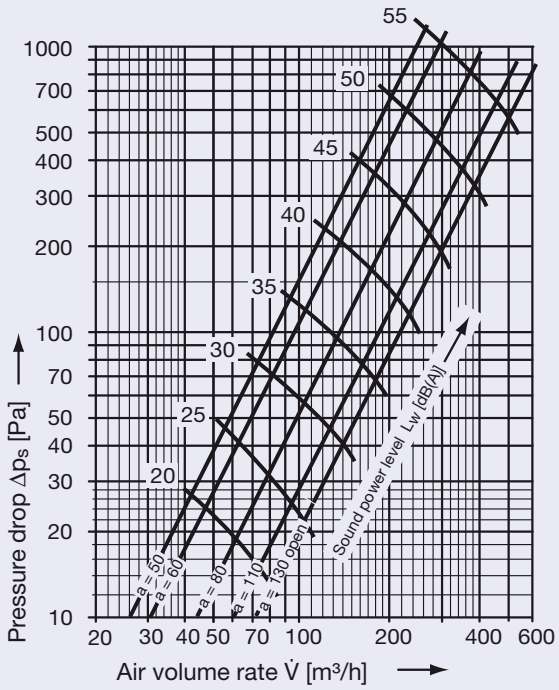
Type Space RA and R without slidegate



Type	Diameter of duct [mm]	B [mm]	H [mm]	Recess [mm]	a [mm]	
					with slidegate	without slidegate
Space - RA	160 - 200	275	116	150 × 65	40 - 110	130
Space - R	250 - 1000	275	125	150 × 65	40 - 110	130

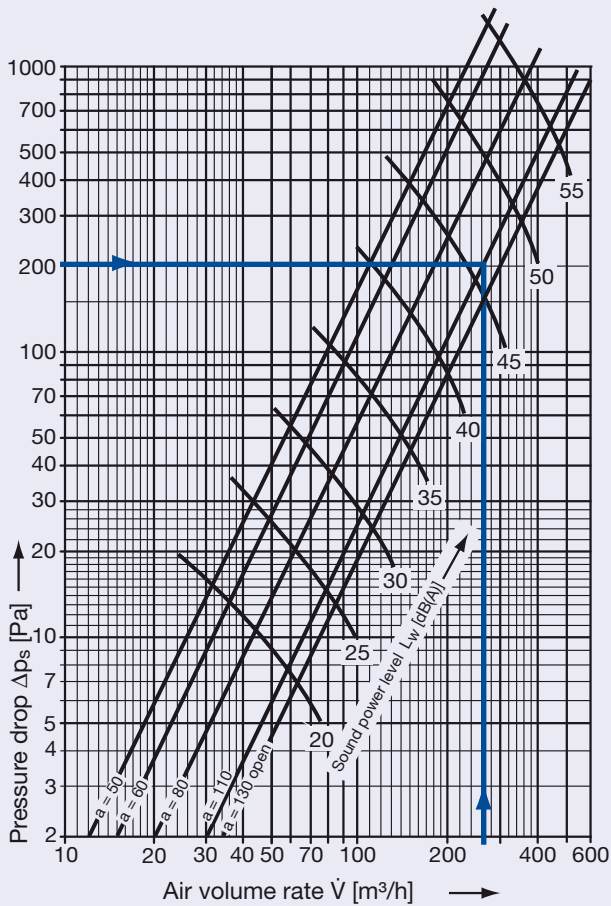
Technical Data

Space RA, R $v_k = 3$ m/s

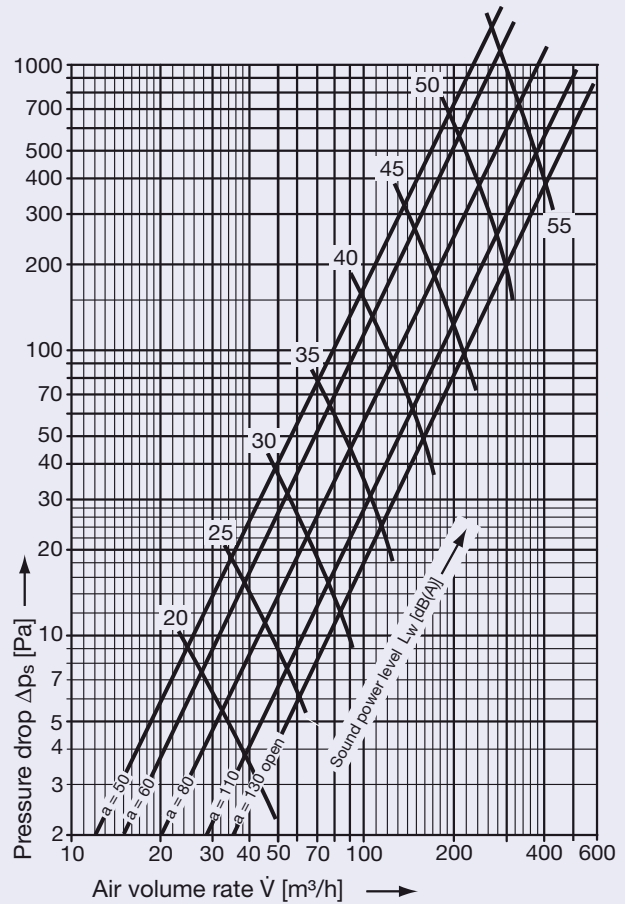


$a = 130$ mm (remove slidegate)

Space RA, R $v_k = 4$ m/s



Space RA, R $v_k = 5$ m/s



Example

Given

Air velocity in the duct v_k = 3.6 m/s (4 m/s)
 Air volume rate \dot{V} = 260 m³/h
 Pressure drop Δp_s = 200 Pa

Sought

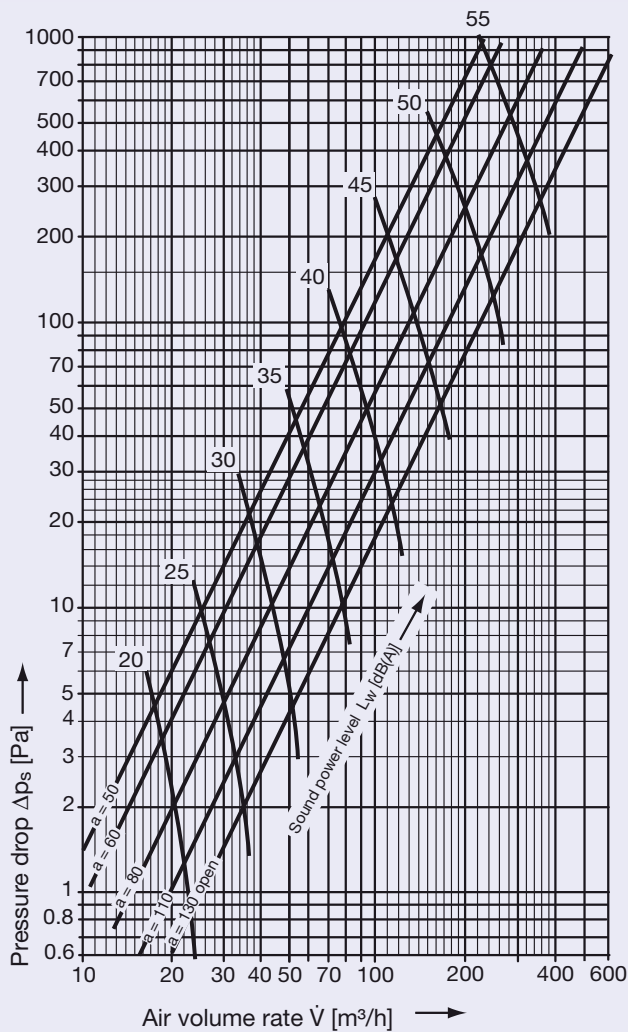
a) Slidegate length a in mm
 b) Sound power level L_w in dB(A)

Solution

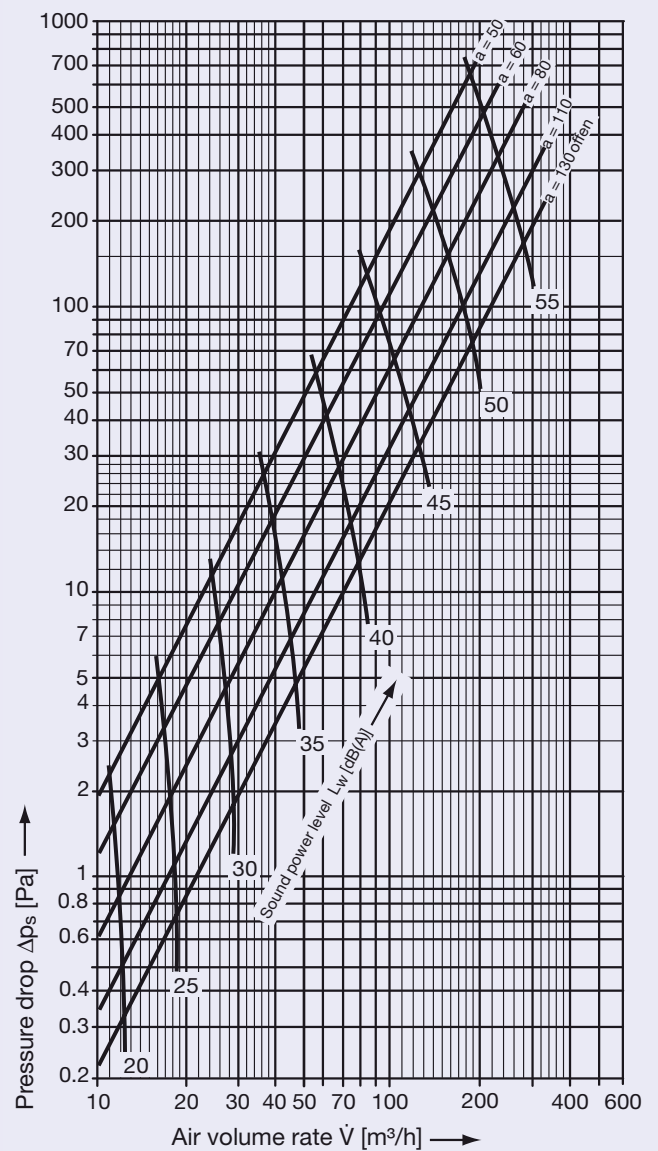
a) Slidegate length a = 110 mm
 b) Sound power level L_w = 46 dB(A)

$a = 130$ mm (remove slidegate)

Space RA, R $v_k = 7$ m/s



Space RA, R $v_k = 9$ m/s



Order Details

Order Code

No details for standard products

Space R / 0 / 0 / P1 / RAL 9006

Type

Space RA
Space R

RAL 9006 = silky sheen, 60% brilliance

0 = Powder coated according to RAL 7037, silky sheen, 60% brilliance (standard)

P1 = Powder coated according to RAL... (other RAL colours and brilliance on request)

Order example

20 off Space RA

Text for tendering purposes

Space RA

Rectangular, aerodynamically formed exhaust air valve.
Exhaust volume rate adjustable by the slidegate.
Easy to clean without disassembly or readjusting. Installation directly on the metallic duct Ø160 - 200 mm.

Space R

Rectangular, aerodynamically formed exhaust air valve.
Exhaust volume rate adjustable by the slidegate.
Easy to clean without disassembly or readjusting. Installation directly on the metallic duct Ø250 - 1000 mm.

Material

Steel sheet, grey powder coated according to RAL 7037