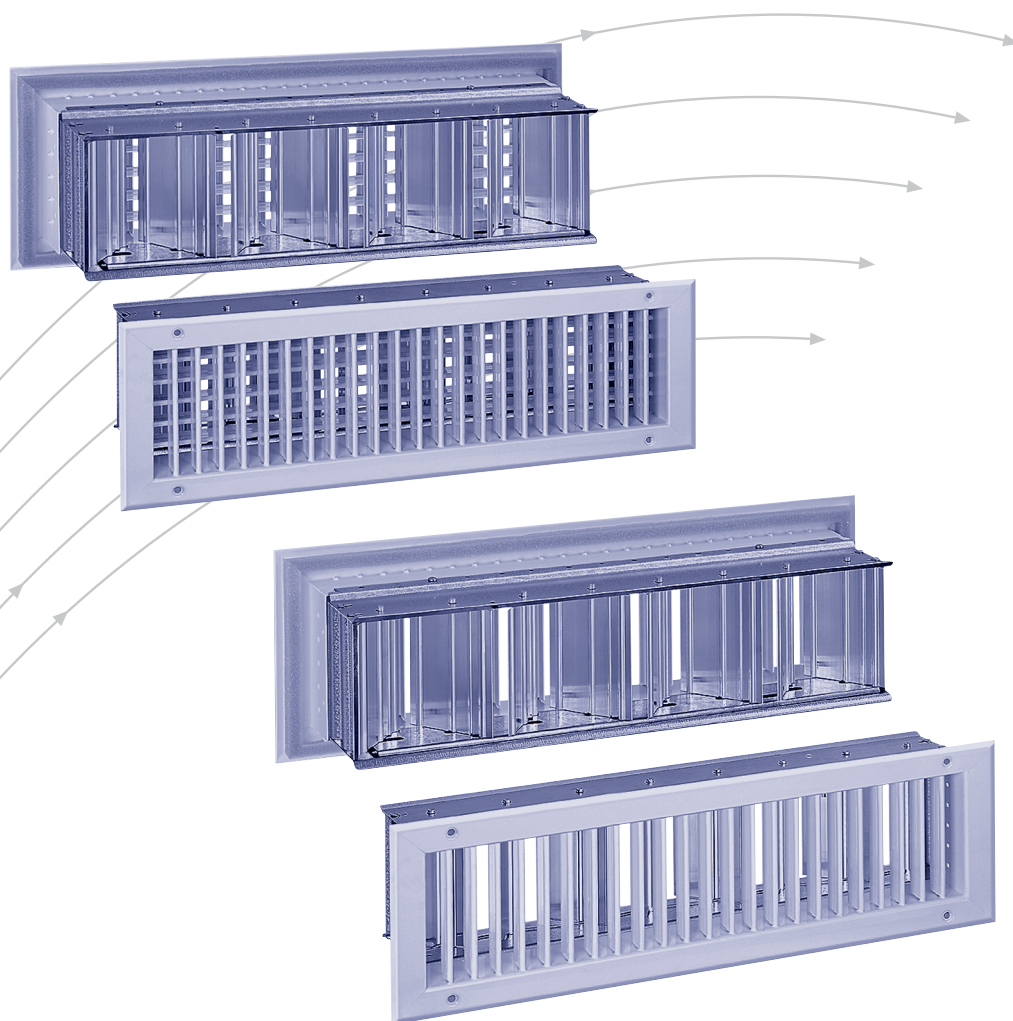


# Diffusion grilles

Type DG6 / DG8



**TROX<sup>®</sup> / TECHNIK**



TROX HESCO Schweiz AG  
Walderstrasse 125  
Postfach 455  
CH - 8630 Rüti ZH

Tel. +41 55 250 71 11  
Fax +41 55 250 73 10  
[www.troxhesco.ch](http://www.troxhesco.ch)  
[info@troxhesco.ch](mailto:info@troxhesco.ch)

# Contents · Application · Realisation · Safety instructions

## Contents

Application · Realisation · Safety instructions	2
Rapid selection · Dimensions · Installation	3
Order Details	4

## Application

Type DG6 Diffusion grille for supply air

Type DG8 Diffusion grille for exhaust air

The diffusion grilles are suitable for systems which require subtle flow-rate regulation, as is the case when several grilles are connected to the same pressure duct. The direction of air discharge is not influenced by the vertical opposed blade damper.

## Realisation

Diffusion grilles with blades; the damper consists of a flat frame and vertical counter-current flaps which are adjusted from the front side with a common adjusting screw.

Grille: Steel powder coated RAL 9010, silky sheen, 60% brilliance.

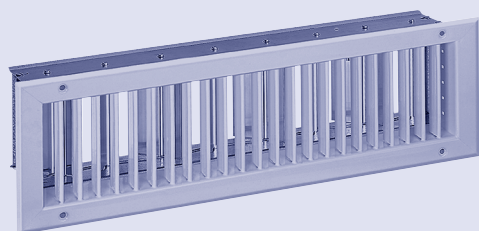
Butterfly valve: Steel galvanized, blades aluminum raw.

Grilles longer than B 600 mm are delivered with two butterfly valves.

DG6



DG8



### Type DG6

Diffusion grille with individually adjustable vertical and horizontal blades. With screw-mounted damper consisting of coupled vertical opposed blade damper.

### Type DG8

Diffusion grille with individually adjustable vertical blades only. With screw-mounted damper consisting of coupled vertical opposed blade damper.

## Safety instructions



### CAUTION!

**Risk of injury from sharp edges and corners, ridges and thin-walled sheet metal parts!**

- Proceed carefully with all work.
- Wear protective gloves, safety shoes and protective helmet.



### CAUTION!

**Damage to the product due to improper handling. Check the device for damage and contamination prior to operation!**

Improper handling may lead to considerable material damage of the product.

- Do not use any acid or abrasive cleaning agents.
- Adhesives from sticky tape may lead to colour damage.
- Excessive moisture may lead to colour damage and corrosion.
- Use only cleaning agents, greases and oils that are expressly specified.



### WARNING!

**Danger from incorrect use. Misuse of the product may lead to dangerous situations.**

The product must not be used:

- in areas subject to explosion hazards;
- in the open air without sufficient protection against weather effects;
- in atmospheres that may have a damaging and/or corrosive effect on the product due to scheduled or unscheduled chemical reactions.

# Rapid selection · Dimensions · Installation

## Dimensions / Rapid selection

Nom. length B [mm]	Nominal height														
	ZL [m³/h]	H [mm]	AL [m³/h]	ZL [m³/h]	H [mm]	AL [m³/h]	ZL [m³/h]	H [mm]	AL [m³/h]	ZL [m³/h]	H [mm]	AL [m³/h]	ZL [m³/h]	H [mm]	AL [m³/h]
200	83	50	97	167	100	195									
250				209	100	243									
300	125	50	146	250	100	292	375	150	438						
400	167	50	195	334	100	390	500	150	585	667	200	780			
500	208	50	243	417	100	487	625	150	730	834	200	974			
600	250	50	292	500	100	584	750	150	876	1000	200	1168	1250	250	1460
750	313	50	365	625	100	730	938	150	1095	1250	200	1460	1563	250	1825
900				750	100	876	1125	150	1314	1500	200	1752	1875	250	2190

Base: Directly flowing resp. flowing off

ZL = supply air,  $v_{\text{eff}} = 3.0 \text{ m/s}$ ,  $\Delta p_s = 3.5 \text{ Pa}$

AL = exhaust air,  $v_{\text{eff}} = 3.5 \text{ m/s}$ ,  $\Delta p_s = 8 \text{ Pa}$

$L_w$  for nominal dimension 600 x 100 mm:

$L_{wZL} = 21 \text{ dB(A)}$ ,  $L_{wAL} = 25 \text{ dB(A)}$

Legend

$v_{\text{eff}}$  = velocity of effective air

$\Delta p_s$  = static pressure drop

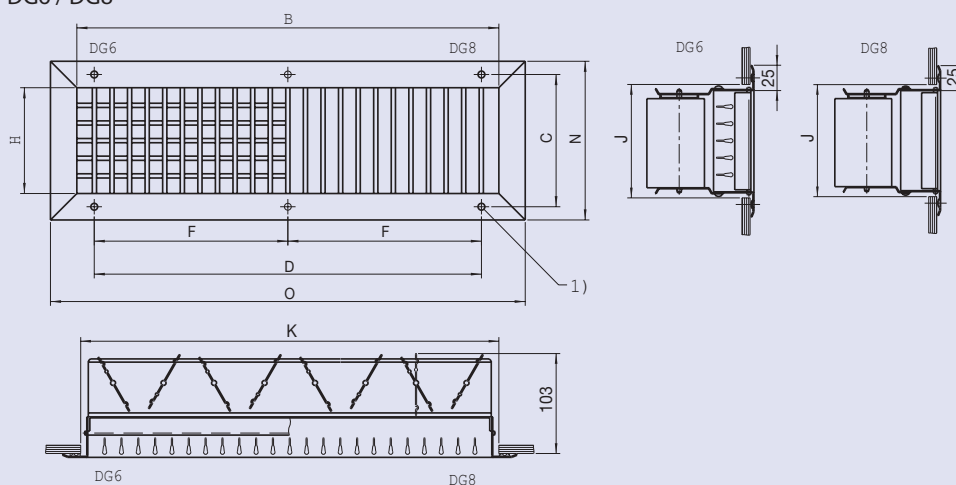
$L_w$  = sound power level

## Dimensions

### Stock assortment

Nennbreite B [mm]	Nennhöhe														
	ZL [m³/h]	H [mm]	AL [m³/h]	ZL [m³/h]	H [mm]	AL [m³/h]	ZL [m³/h]	H [mm]	AL [m³/h]	ZL [m³/h]	H [mm]	AL [m³/h]	ZL [m³/h]	H [mm]	AL [m³/h]
200	83	50	97	167	100	195									
250				209	100	243									
300	125	50	146	250	100	292	375	150	438						
400	167	50	195	334	100	390	500	150	585	667	200	780			
500	208	50	243	417	100	487	625	150	730	834	200	974			
600	250	50	292	500	100	584	750	150	876	1000	200	1168	1250	250	1460
750	313	50	365	625	100	730	938	150	1095	1250	200	1460	1563	250	1825
900				750	100	876	1125	150	1314	1500	200	1752	1875	250	2190

## DG6 / DG8



1) Countersunk mounting holes  $\varnothing 4.8 \times 90^\circ$

## Installation

When using sheet-metal ducts, the grilles are screwed on directly. For brickwork or plaster ducts we recommend the use of our DG masonry frame.

## Special model

Screwless mounting (designation SL)

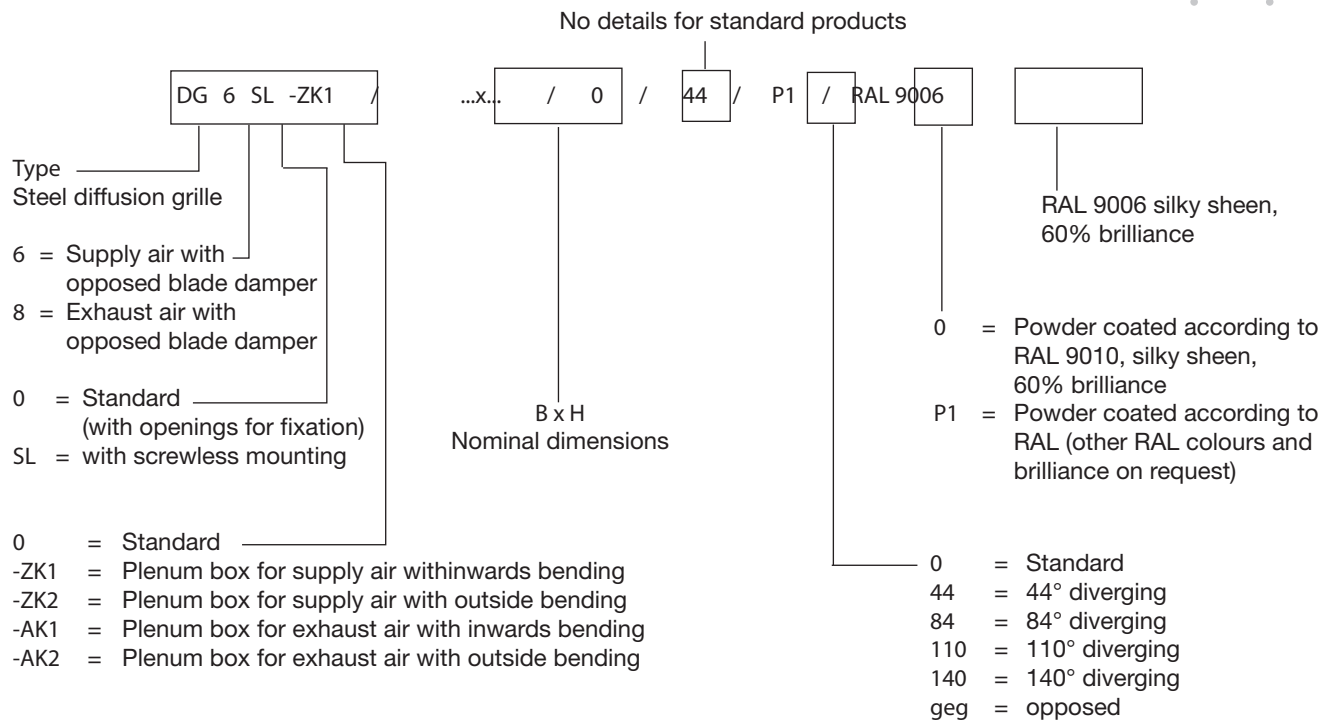
## Dimensioning

Air velocity, flow rate and pressure drop values are found in "Dimensioning of TROX HESCO diffuser grilles" L-02-5-01e.

The effective free area in the exhaust plane is 77% of the nominal area  $B \times H$ .

# Order Details

## Order codes



## Order examples

15 off DG 6 -ZK2 / 600 x 100 / 44 / P1 / RAL9006  
 24 off DG 8 SL -AK1 / 900 x 200

## Text for tendering purposes

### Type DG6

Diffusion grille with vertical (in front) and horizontal (behind) blades in streamlined form. Blades space 16.66 mm, dimension of the border 25 mm with gasket of foamed plastics, fastening by screw (sinkholes in the border). With screw-mounted damper consisting of coupled vertical opposed blade damper.

### Material

Grille: Steel powder coated RAL 9010, silky sheen, 60% brilliance.

Opposed blade damper: Steel galvanized,  
 Blades: Aluminum raw.

### Type DG8

Diffusion grille with vertical blades in streamlined form. Blades space 16.66 mm, dimension of the border 25 mm with gasket of foamed plastics, fastening by screw (sinkholes in the border). With screw-mounted damper consisting of coupled vertical opposed blade damper.

### Material

Grille: Steel powder coated RAL 9010, silky sheen, 60% brilliance.

Opposed blade damper: Steel galvanized,  
 Blades: Aluminum raw.