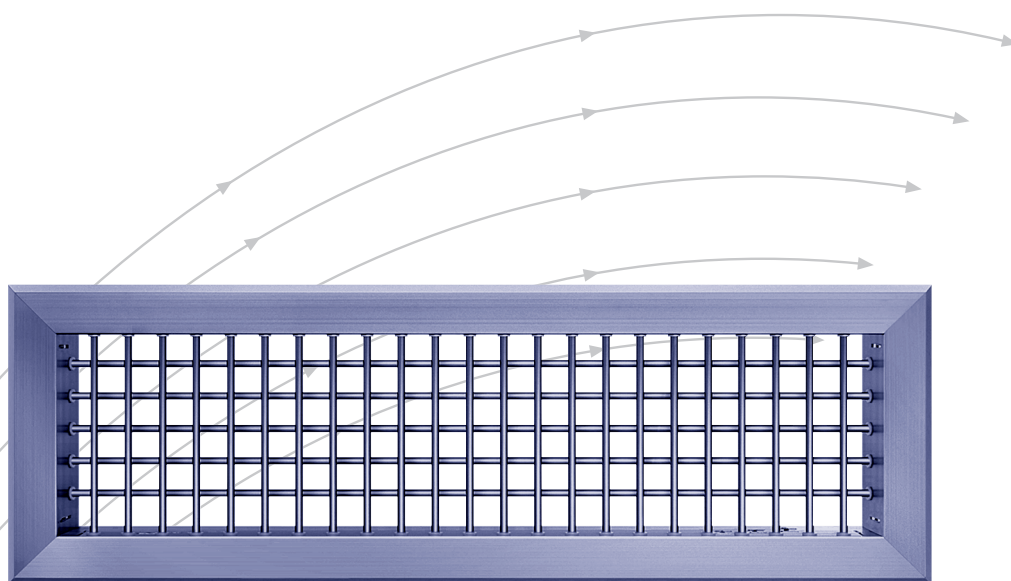


Light metal diffusion grilles

- Type DGL
- anodised colourless finish



TROX® **TECHNIK**



TROX HESCO Schweiz AG
Walderstrasse 125
Postfach 455
CH - 8630 Rüti ZH

Tel. +41 55 250 71 11
Fax +41 55 250 73 10
www.troxhesco.ch
info@troxhesco.ch

Contents · Application · Realisation · Safety instructions · Dimensions

Contents

Application · Realisation · Safety instructions ·	
Dimensions _____	2
Dimensions · Installation · Dimensioning _____	3
Order Details _____	4

Application

The light metal diffusion grilles can be used as supply or exhaust air grilles. The various types we manufacture provide an optimum solution for every application problem. You will find the necessary information on the specific applications of the particular light metal DG types in the documents relating to iron diffusion grilles.

Realisation

DGL 1 Individually adjustable **vertical and horizontal** blades, angular frames with screwless mounting and foam gaskets. Blades and angular frame of Extrudal B, anodised colourless finish.

DGL 3 Realisation as DGL 1 but with individually adjustable **vertical** blades only.

The attractive light metal diffusion grilles ideally complement sophisticated construction elements.

DGL 5 Grille as DGL 1 with light metal damper mounted on back side consisting of inclined flap casing and flap.

DGL 6 Grille as DGL 1 with opposed blade damper of Sendzimir-galvanized steel mounted on back side, raw aluminium blades.

DGL 7 Grille as DGL 3 with damper mounted on back side, consisting of tiltable flap and patented baffle plate.

DGL 8 Grille as DGL 3 with opposed blade damper of Sendzimir-galvanized steel mounted on back side. Raw aluminium blades.

DGL 17 Grille as DGL 1 with damper mounted on back side, consisting of tiltable flap and patented baffle plate.

MR Sectional steel masonry frame, Sendzimir-galvanized, for screwless mounting. (see prospectus L-02-1-10e).

Safety instructions

CAUTION!

Damage to the product due to improper handling. Check the device for damage and contamination prior to operation!

Improper handling may lead to considerable material damage of the product.

- Do not use any acid or abrasive cleaning agents.
- Adhesives from sticky tape may lead to colour damage.
- Excessive moisture may lead to colour damage and corrosion.
- Use only cleaning agents, greases and oils that are expressly specified.

CAUTION!

Risk of injury from sharp edges and corners, ridges and thin-walled sheet metal parts!

- Proceed carefully with all work.
- Wear protective gloves, safety shoes and protective helmet.

WARNING!

Danger from incorrect use. Misuse of the product may lead to dangerous situations.

The product must not be used:

- in areas subject to explosion hazards;
- in the open air without sufficient protection against weather effects;
- in atmospheres that may have a damaging and/or corrosive effect on the product due to scheduled or unscheduled chemical reactions.

Dimensions / Rapid selection

Stock assortment / Preference dimensions
Nominal length B x nominal height H mm

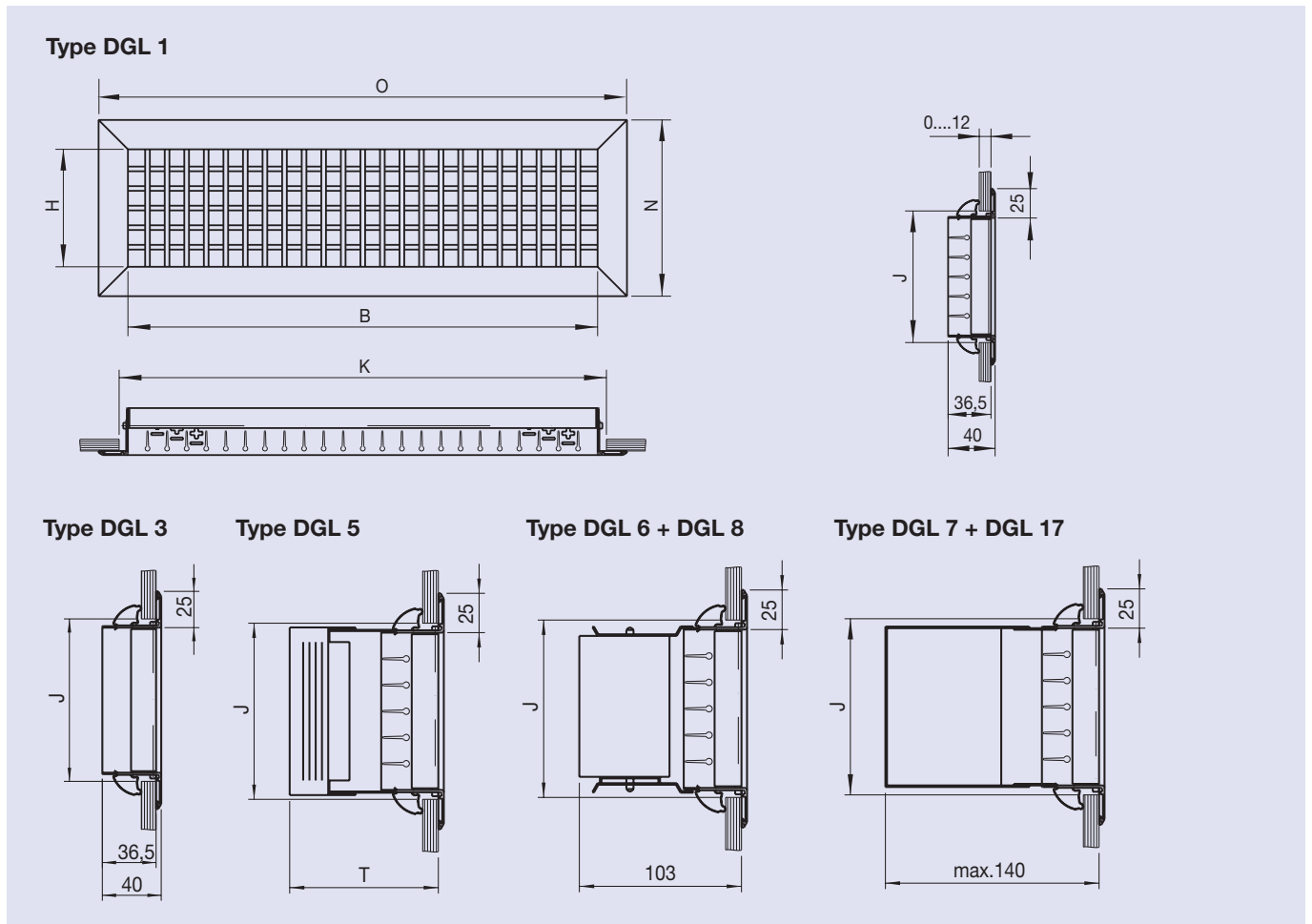
B	K	O	T	H	J	N
[mm]	$B + 15^{+2}_0$	$B + 50$	[mm]	[mm]	$H + 10^{+2}_0$	$H + 50$
200	215	250	75	50	60	100
250	265	300	80	100	110	150
300	315	350	85	150	160	200
400	415	450	95	200	210	250
500	515	550	100	250	260	300
600	615	650	110	300	310	350
750	765	800	130			
900	915	950	150			

Dimensions · Installation · Dimensioning

Nom. length B [mm]	Nominal height																	
	ZL	H	AL	ZL	H	AL	ZL	H	AL	ZL	H	AL	ZL	H	AL			
	[m³/h]	[mm]	[m³/h]	[m³/h]	[mm]	[m³/h]	[m³/h]	[mm]	[m³/h]	[m³/h]	[mm]	[m³/h]	[m³/h]	[mm]	[m³/h]			
200	83	50	97	167	100	195												
250				209	100	243												
300	125	50	146	250	100	292	375	150	438									
400	167	50	195	334	100	390	500	150	585	667	200	780						
500	208	50	243	417	100	487	625	150	730	834	200	974						
600	250	50	292	500	100	584	750	150	876	1000	200	1168	1250	250	1460	1500	300	1752
750	313	50	365	625	100	730	938	150	1095	1250	200	1460	1563	250	1825			
900				750	100	876	1125	150	1314	1500	200	1752	1875	250	2190	2250	300	2628

Base: Directly flowing resp. flowing off
 ZL = supply air, $v_{\text{eff}} = 3.0 \text{ m/s}$, $\Delta p_s = 3.5 \text{ Pa}$
 AL = exhaust air, $v_{\text{eff}} = 3.5 \text{ m/s}$, $\Delta p_s = 8 \text{ Pa}$
 L_w for nominal dimension 600 x 100 mm:
 $L_{wZL} = 21 \text{ dB(A)}$, $L_{wAL} = 25 \text{ dB(A)}$

Legend
 v_{eff} = velocity of effective air
 Δp_s = static pressure drop
 L_w = sound power level



Installation

Instructions for screwless mounting (designation SL) look prospectus L-02-1-31e.

Special models:

Anodised in colour according to colour chart (the exact shade of the colour cannot be guaranteed).

Special sizes in anodised colour or colourless finish.

Grilles with border (5 mm) in anodised colour or colourless finish. Linear air terminal devices 50, 100, 150 and 200 mm high, any desired length, anodised colour or colourless finish.

Prices of special models on request.

Dimensioning

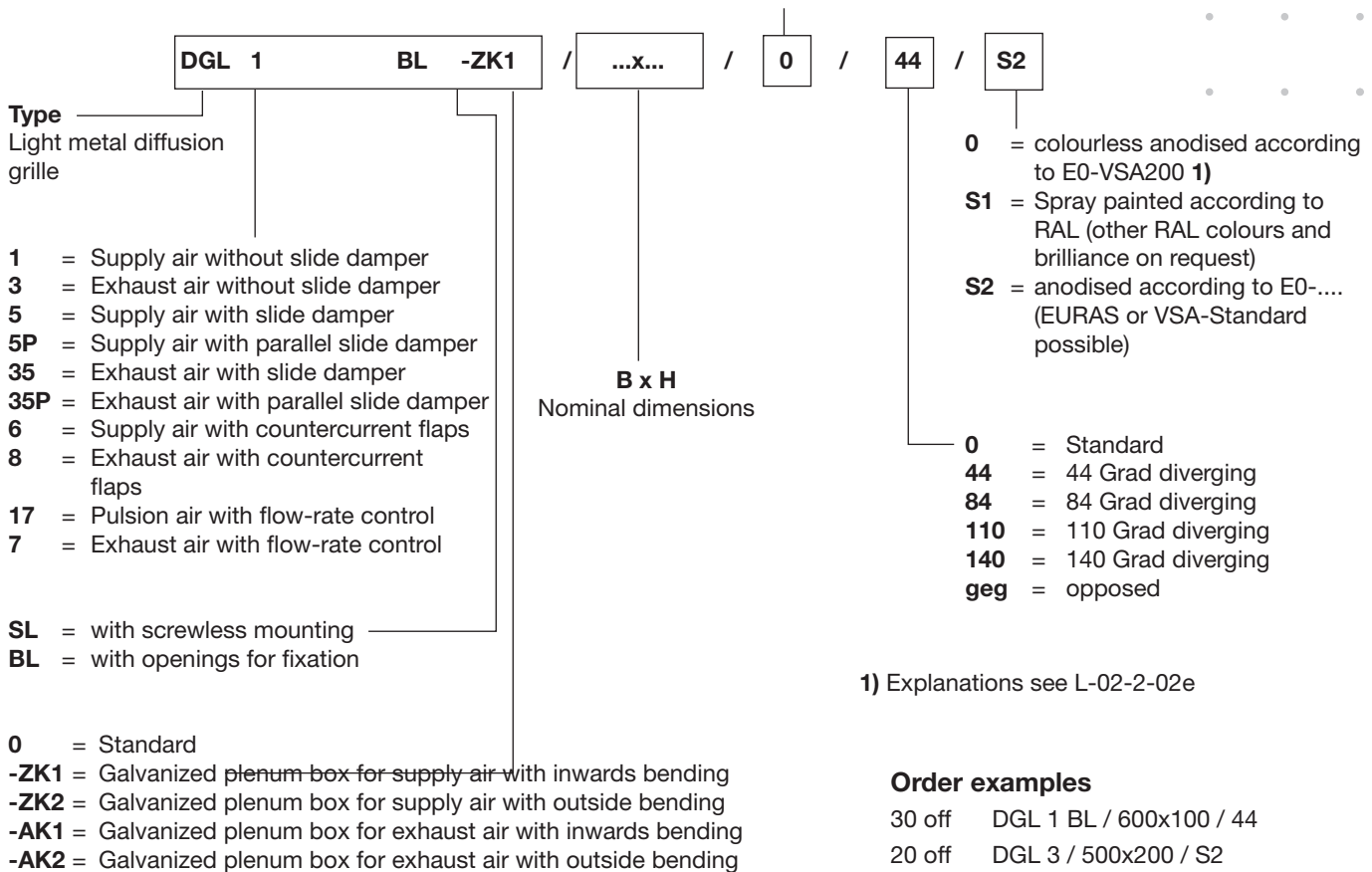
Free area = 77 % of the nominal area B x H.

Outlet velocity, flow rate, pressure drop and sound power level values are found in 'Dimensioning of diffusion grilles'.

Order details

Order codes

No details for standard products



Text for tendering purposes

Type DGL 1

Diffusion grille (supply air/exhaust air) with individually adjustable **vertical** (in front) and **horizontal** (behind) blades, designed for favorable flow. Angular frames with screwless mounting and foam gaskets.

Material

Blades and angular frame of Extrudal B, anodised colourless finish.

Type DGL 3

Realisation as DGL 1 but with individually adjustable **vertical** blades only.

Type DGL 5

Grille as DGL 1 with light metal damper mounted on back side consisting of inclined flap casing and flap.

Type DGL 6

Grille as DGL 1 with opposed blade damper of Sendzimir-galvanized steel mounted on back side, raw aluminium blades.

Type DGL 7

Grille as DGL 3 with damper mounted on back side, consisting of tiltable flap and patented baffle plate.

Type DGL 8

Grille as DGL 3 with opposed blade damper of Sendzimir-galvanized steel mounted on back side. Raw aluminium blades.

Type DGL 17

Grille as DGL 1 with damper mounted on back side, consisting of tiltable flap and patented baffle plate.

MR

Sectional steel masonry frame, Sendzimir-galvanized, for screwless mounting (see prospectus L-02-1-10e).