

Ball protection grilles

Type BSDG(L), BSDGR and BSDGRA



TROX[®] TECHNIK



TROX HESCO Schweiz AG
Walderstrasse 125
Postfach 455
CH - 8630 Rüti ZH

Tel. +41 55 250 71 11
Fax +41 55 250 73 10
www.troxhesco.ch
info@troxhesco.ch

Contents · Application · Realisation · Safety instructions · Dimensions

Contents

Application · Realisation · Safety instructions ·	
Dimensions _____	2
Realisation · Dimensions _____	3
Order details _____	4

Application

The ball protection grilles are used as supply or extract air grilles in gymnastics, sports and multipurpose halls. They are protected against ball impacts, i.e. all models have been tested by the official Research and Material Testing Institute for Civil Engineering (Otto Graf-Institut) in Stuttgart, Germany. Tests passed for footballs, handballs and medicine balls.

Realisation

Ball protection grilles type BSDG are diffusion grilles made of steel with a non-protruding ball-protection frame made of powder-coated aluminium according to RAL 9010. For additional information, see the DG brochures.

Ball Protection Grilles type BSDGL are diffusion grilles made of aluminium with a non-protruding ball-protection frame made of colourless anodised aluminium. For additional information, see DGL brochure L-02-2-01e.

Masonry frame MRDG STARK made of galvanised metal sheet. For additional information, see MRDG brochure L-02-1-10e.

Safety instructions



CAUTION!

Risk of injury from sharp edges and corners, ridges and thin-walled sheet metal parts!

- Proceed carefully with all work.
- Wear protective gloves, safety shoes and protective helmet.



WARNING!

Risk of injury due to insufficient qualifications!

Improper handling may lead to considerable personal harm or material damage.

- All activities may only be carried out by suitably qualified staff.



WARNING!

Danger from incorrect use. Misuse of the product may lead to dangerous situations.

The product must not be used:

- in areas subject to explosion hazards;
- in the open air without sufficient protection against weather effects;
- in atmospheres that may have a damaging and/or corrosive effect on the product due to scheduled or unscheduled chemical reactions.



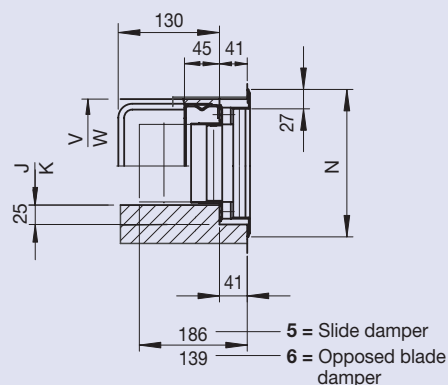
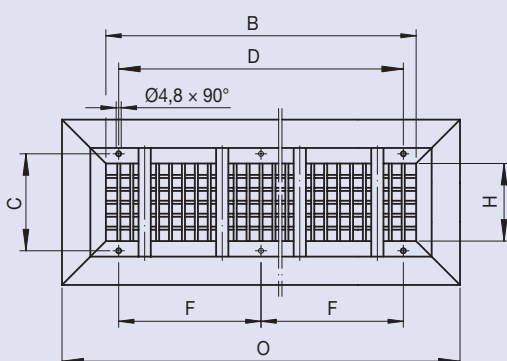
CAUTION!

Damage to the product due to improper handling. Check the device for damage and contamination prior to operation!

Improper handling may lead to considerable material damage of the product.

- Do not use any acid or abrasive cleaning agents.
- Adhesives from sticky tape may lead to colour damage.
- Excessive moisture may lead to colour damage and corrosion.
- Use only cleaning agents, greases and oils that are expressly specified.

Dimensions type BSDG(L)



Realisation · Dimensions

B	D	F	O	K	W
[mm]	[mm]	[mm]	B + 97 [mm]	B + 15 [mm]	B + 60 [mm]
600	567	283.5	697	615	660
750	600	300	847	765	810
900	283.5 +300.0 +283.5	-	997	915	960

H	C	N	J	V
[mm]	[mm]	H + 97 [mm]	H + 10 [mm]	H + 60 [mm]
200	225	297	210	260
250	275	347	260	310

Special version ball protection grille BSDG(L)
 – With 4.2mm fixing holes (in 27mm edge)
 – With fixed resistance (price on request)

Realisation

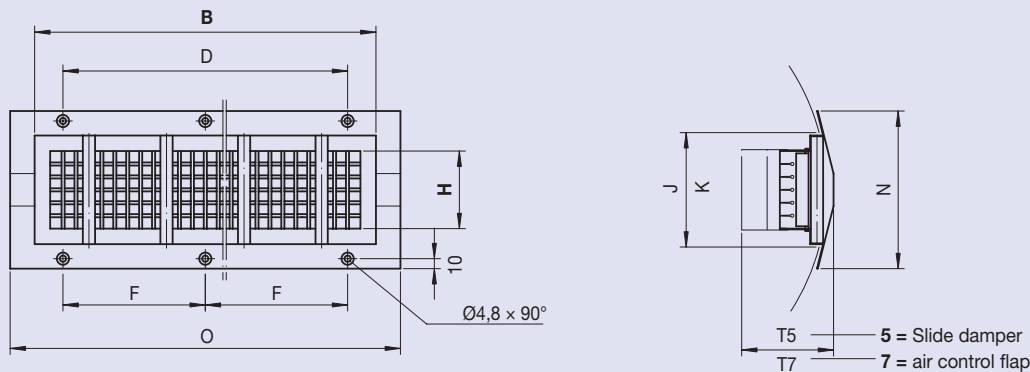
Ball protection grilles type BSDGR(A) are diffusion grilles made of steel with a non-protruding ball-protection frame for duct installation and are made of grey steel, powder coated, galvanised silver, 25% brilliance.

Continuous grilles are not available.

Note: Grille must be attached to the duct duct with screws.

For additional information, see DGR brochure L-02-1-09e.

Dimensions type BSDGR(A)



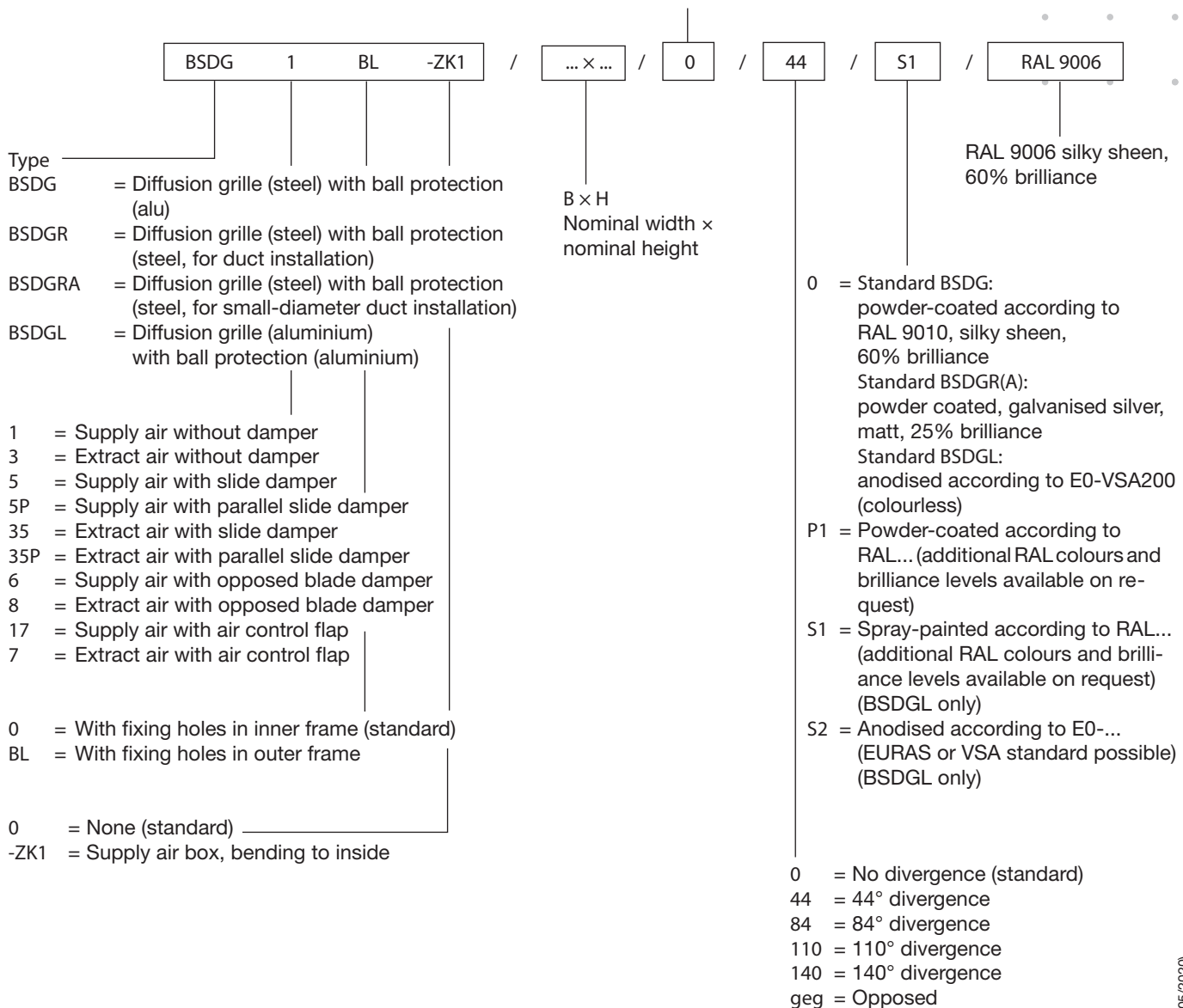
B Nominal width [mm]	D [mm]	F [mm]	O B + 100 [mm]	K B + 65 [mm]
600	567	283.5	700	665
750	717	358.5	850	815

H Nominal height [mm]	J H + 60 [mm]	N H + 100 [mm]	T5		T7	Duct range-Ø BSDGR [mm]	Duct range-Ø BSDGR(A) [mm]
			B = 600 [mm]	B = 750 [mm]			
100	160	200	158	178	144	400-1000	315-500
150	210	250	160	180	150	560-1250	400-630
200	260	300	165	185	155	630-1350	500-710
250	310	350	170	190	160	800-1400	710-900

Order details

Order codes

No details for standard products



Order example

10 off BSDG1BL -0 / 600x150 / 44 / P1 / RAL9006, 60%glosslevel

Options

– Other RAL colours

For additional information, see DG brochure.