



CAV controllers

EN-Ex
TROX GmbH

 Heinrich-Trox-Platz
 47504 Neukirchen-Vluyn
 Germany
 Phone: +49 (0) 2845 2020
 Fax: +49 (0) 2845 202265
 E-mail: trox@trox.de
<http://www.troxtechnik.com>

Product overview



Fig. 1: EN-Ex

- 1 Damper blade
- 2 Bellows
- 3 Bellows inlet
- 4 Scales sticker
- 5 Connection for equipotential bonding (latch) (2 × ground strap in supply package))
- 6 Display damper blade position ⇒ Fig. 2
- 7 Hand wheel

Damper blade position display

The display is used to evaluate the throttle position of the damper blade, e.g. in order to optimise the control of the fan or the section regulation.

Attention: The display must not be adjusted.

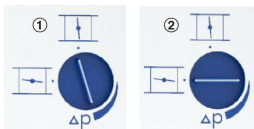


Fig. 2: Display of the damper blade position

- 1 Damper blade in maximum throttle position - Reduce system pressure
- 2 Damper blade in open position - System pressure too low

Important notes

Information on the installation manual

This manual enables operating or service personnel to correctly install the product described below and to use it safely and efficiently.

It is essential that these individuals read and fully understand this manual before starting any work. The basic prerequisite for safe working is to comply with the safety notes and all instructions in this manual.

The local regulations for health and safety at work and general safety regulations also apply.

Correct use

CAV controllers of Type EN-Ex are used for constant volume flow control in ventilation and air conditioning systems. They can be used for supply air and extract air systems in the following areas with potentially explosive atmospheres:

⚠ II 2G Ex h IIC T6 Gb

⚠ II 2D Ex h IIIC T80 °C Db

Do not use the CAV controller with an electric actuator!

Do not use CAV controllers in extract air systems in commercial kitchens unless the extract air has been cleaned as much as possible with high-efficiency aerosol separators; see VDI 2052.

The installation of air terminal devices in humid rooms, areas with potentially explosive atmospheres or rooms with dust-laden or aggressive air has to be assessed for each individual case.

TROX Technical Service

To ensure that your request is processed as quickly as possible, please keep the following information ready:

- Product name
- TROX order number
- Delivery date
- Brief description of the fault

Online	www.troxtechnik.com
Phone	+49 2845 202-400

Qualified staff

HVAC technician for Ex areas

HVAC technicians are individuals who have sufficient professional or technical training in the field they are working in to enable them to carry out their assigned duties at the level of responsibility allocated to them and in compliance with the relevant guidelines, safety regulations and instructions.

HVAC technicians are individuals who have in-depth knowledge and skills related to HVAC systems; they are also responsible for the professional completion of the work under consideration.

HVAC technicians are individuals who have sufficient professional or technical training, knowledge and actual experience to enable them to work on HVAC systems, understand any potential hazards related to the work under consideration, and recognise and avoid any risks involved.

HVAC technicians for Ex areas have been specially trained for work in areas with potentially explosive atmospheres. They know the rules and regulations relevant to their work and to explosion protection. Evidence of the relevant experience and training claimed must be available.

Personal protective equipment

Personal protective equipment must be worn for any work in order to reduce health or safety hazards to the minimum.

The appropriate protective equipment for a job must be worn for as long as the job takes.

Industrial safety helmet



Industrial safety helmets protect the head from falling objects, suspended loads, and the effects of striking the head against stationary objects.

Protective gloves



Protective gloves protect hands from friction, abrasions, punctures, deep cuts, and direct contact with hot surfaces.

Safety shoes



Safety shoes protect the feet against crushing, falling parts, and slipping on slippery ground.

Limitation of liability

The information in this manual has been compiled with reference to the applicable standards and guidelines, the state of the art, and our expertise and experience of many years.

The manufacturer does not accept any liability for damages resulting from:

- Non-compliance with this manual
- Incorrect use
- Operation or handling by untrained individuals
- Unauthorised modifications

The actual scope of delivery may differ from the information in this manual for special constructions, additional order options or as a result of recent technical changes.

Transport and storage

Delivery check

Upon delivery, carefully remove the packaging and check the unit for transport damage and completeness. In case of any damage or an incomplete shipment, contact the shipping company and your supplier immediately. Put the product back into its packaging after the delivery check to protect it from dust and contamination.



Fixing and installation material

Fixing and installation material is not part of the supply package (unless stated otherwise), but has to be provided by others; it has to be suitable for the installation situation.

Transport on site



CAUTION!

Danger of injury from sharp edges, sharp corners and thin sheet metal parts!

Sharp edges, sharp corners and thin sheet metal parts may cause cuts or grazes.

- Be careful when carrying out any work.
- Wear protective gloves, safety shoes and a hard hat.

Technical data

Nominal sizes	200 × 100 to 600 × 600 mm
Volume flow rate range	39 – 3500 l/s or 140 – 12600 m³/h
Volume flow rate control range	Approx. 25 to 100% of the nominal volume flow rate
Scale accuracy	± 4%
Minimum differential pressure	50 Pa

Please note:

- Be careful when unloading or moving the product, and pay attention to the symbols and information on the packaging.
- If possible, take the product in its transport packaging up to the installation location.
- Use only lifting and transport gear designed for the required load.
- Always secure the load against tipping and falling.
- Do not move bulky items just by yourself. Get help to prevent injuries and damage.
- Only lift or hold the control unit at the housing, not at the damper blade, at the flow rate adjustment or at the actuator.

Storage

Please note:

- Store the product only in its original packaging
- Protect the product from the effects of weather
- Protect the product from humidity, dust and contamination
- Storage temperature: -10 °C to 50 °C.
- Relative humidity: 95% max., no condensation

Packaging

Properly dispose of packaging material.

Maximum differential pressure	1000 Pa
Operating temperature	10 – 50 °C

Dimensions and weight

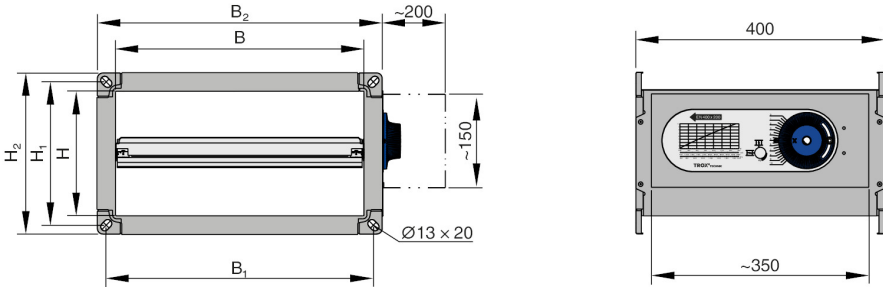


Fig. 3: EN-Ex

Product specific data EN-Ex

NG	B	H	B ₁	B ₂	H ₁	H ₂	kg
200 × 100	200	100	230	260	130	160	4
300 × 100	300	100	330	360	130	160	5
300 × 150	300	150	330	360	180	210	6
300 × 200	300	200	330	360	230	260	6
400 × 200	400	200	430	460	230	260	7
400 × 250	400	250	430	460	280	310	8
400 × 300	400	300	430	460	330	360	8.5
400 × 400	400	400	430	460	430	460	13
500 × 200	500	200	530	560	230	260	8.5
500 × 250	500	250	530	560	280	310	9
500 × 300	500	300	530	560	330	360	9.5
500 × 400	500	400	530	560	430	460	14.5
500 × 500	500	500	530	560	530	560	15.5
600 × 200	600	200	630	660	230	260	10
600 × 250	600	250	630	660	280	310	10.5
600 × 300	600	300	630	660	330	360	11.5
600 × 400	600	400	630	660	430	460	17
600 × 500	600	500	630	660	530	560	18
600 × 600	600	600	630	660	630	660	20

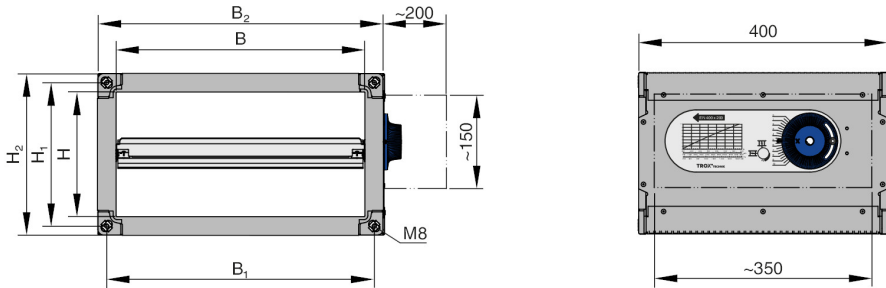


Fig. 4: EN-Ex-D (with acoustic cladding)

Product specific data EN-Ex-D

NG	B	H	B ₁	B ₂	H ₁	H ₂	kg
200 × 100	200	100	230	260	130	160	6.5
300 × 100	300	100	330	360	130	160	8
300 × 150	300	150	330	360	180	210	9
300 × 200	300	200	330	360	230	260	10
400 × 200	400	200	430	460	230	260	12
400 × 250	400	250	430	460	280	310	13
400 × 300	400	300	430	460	330	360	14
400 × 400	400	400	430	460	430	460	18
500 × 200	500	200	530	560	230	260	14
500 × 250	500	250	530	560	280	310	14.5
500 × 300	500	300	530	560	330	360	15.5
500 × 400	500	400	530	560	430	460	20.5
500 × 500	500	500	530	560	530	560	22
600 × 200	600	200	630	660	230	260	15.5
600 × 250	600	250	630	660	280	310	16.5
600 × 300	600	300	630	660	330	360	18
600 × 400	600	400	630	660	430	460	23
600 × 500	600	500	630	660	530	560	25
600 × 600	600	600	630	660	630	660	27.5

Installation

Installation orientation

Any installation orientation.

When installing in horizontal ducting, the operating side (rotary knob) must be arranged laterally (right/ left) or below.

Observe airflow direction!

Upstream conditions

The volume flow rate accuracy of CAV controllers applies to a straight upstream section of the duct. Bends, junctions or a narrowing or widening of the duct cause turbulence that may affect volume flow rate measurement. Depending on the respective installation situation, information on the straight duct section upstream of the control unit must be observed.

Duct connections, e.g. branches off the main duct, must comply with EN 1505.

Ensure that the sealing tape (Fig. 5/1) is attached flush with the flange.

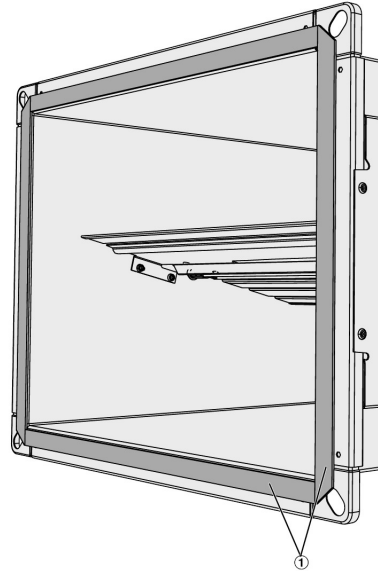
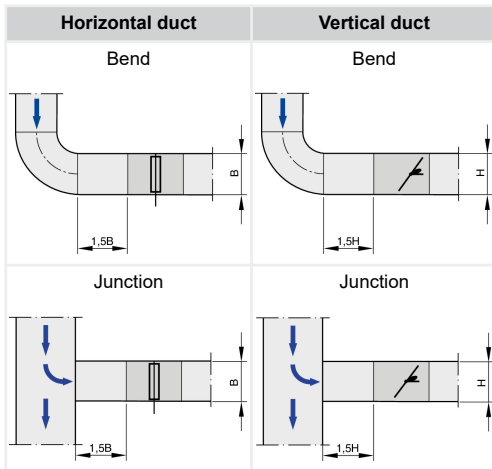


Fig. 5: Attaching the sealing tape to the flange



Free air intake only with a straight duct section of 1B upstream.

Attaching sealing tape

To achieve the tightness class of the ducting, sealing tapes have to be installed between the ducting and the controller at both sides of the flange, e.g. self-adhesive sealing tape.

Installing the controller

Personnel:

- HVAC technician for Ex areas

Protective equipment:

- Industrial safety helmet
- Protective gloves
- Safety shoes



WARNING!

Risk of explosion from the commissioning of damaged products

Commissioning damaged products in areas with potentially explosive atmospheres may lead to an explosion. This can cause serious or even fatal injuries as well as considerable damage to property.

Before you install the controller, check it for damage that could impair the movement of the damper blade; if the controller has been damaged, replace it.

Before you install the product, take suitable precautions to protect air distribution components from contamination during installation (VDI 6022). If this is not possible, at least cover the product or take other precautions to protect it from contamination. In this case you have to ensure that the product cannot be started. Ensure that all components are clean before you install them. If necessary, clean them thoroughly. If you have to interrupt the installation procedure, protect all openings from the ingress of dust or moisture.



WARNING!

Risk of explosion!

Ignition sources, such as sparks, open flames or hot surfaces, can lead to explosions in an area with potentially explosive atmospheres.

- Get written permission before you start working in an area with potentially explosive atmospheres.
- Do not carry out any work in a potentially explosive atmosphere.
To remove any potentially explosive atmosphere, purge the system with fresh air before you work on it.
- Use only tools that have been approved for use in areas with potentially explosive atmospheres.

Failure to comply with these safety notes may lead to an explosion.

For installation please note:

- Fix the product only to load-bearing structural elements.
- Load suspension systems only with the weight of the product. Adjacent components and connecting ducts must be supported separately.
- Use only approved and adequately sized fixing material (fixing material is not included in the supply package).
- The product must remain accessible for maintenance even after installation.
- **Important:** If there is a risk that the controller could be subject to mechanical impact during operation, protect it accordingly; protection has to be provided by others.

Be careful to not damage the controller accidentally:

- Handle the unit with care.
- Lift the unit only by lifting the entire casing.
- Never lift the unit by the damper blade, rotary knob or hand wheel.

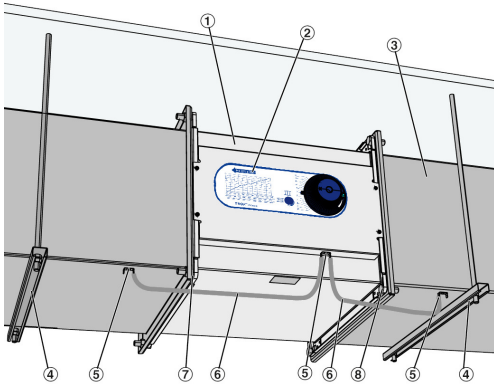


Fig. 6: Installation example

1. ▶ Install suspension rods and bars (Fig. 6/4) at the installation location, at a distance of approx. L+100 mm.
2. ▶ Assemble the ducts (Fig. 6/3) and lead them up to the installation location of the controller.
3. ▶ Insert seals (Fig. 6/7) between the flanges
 ☞ 'Attaching sealing tape' on page 6 (on-site).

 Observe the air direction arrow (Fig. 6/2) during installation.
4. ▶ Screw the controller (Fig. 6/1) together with screws, washers and nuts M10 (Fig. 6/8).

For version with acoustic cladding (EN-D)

- Screw connection (Fig. 6/8) with screws and washers M8;
 - Insulate ducts up to the acoustic cladding of the controller (on-site).
5. ▶ If the unit is fitted with acoustic cladding (EN-Ex-D), insulate the ducting up to the control unit's acoustic cladding (on-site).
 6. ▶ Fix the ducts and the controller to the suspension system.

7. ▶ Make the equipotential bonding (Fig. 6/6) using ground strap and blade connector (Fig. 6/5).



WARNING!

Risk of explosion!

To prevent ignition caused by an electrostatic charge, the controller must be connected to the ducting such that it can conduct current on both ends (ground strap part of supply package).

It is also possible to connect the controller directly to the terminal point for equipotential bonding of the building. This requires a cable (by others).

In any case, the ductwork has to be connected to the terminal point for equipotential bonding of the building.

Initial commissioning



WARNING!

Risk of explosion from the commissioning of damaged products

Commissioning damaged products in areas with potentially explosive atmospheres may lead to an explosion. This can cause serious or even fatal injuries as well as considerable damage to property.

Before you commission the controller, check it for damage that could impair the movement of the damper blade; if the controller has been damaged, replace it.

Before you start commissioning:

- Ensure that the device or unit has been correctly fixed and connected to the ducting.
- Ensure equipotential bonding of the device or unit.
- Ensure that the devices or units as well as the ventilation system are clean and that there are no residual matter and foreign objects.
- **Important:** If there is a risk that the controller could be subject to mechanical impact during operation, protect it accordingly; protection has to be provided by others.

For commissioning see also VDI 6022, part 1 – 'Hygiene requirements for ventilation and air-conditioning systems and units'.



WARNING!

Risk of explosion!

Ignition sources, such as sparks, open flames or hot surfaces, can lead to explosions in an area with potentially explosive atmospheres.

- Get written permission before you start working in an area with potentially explosive atmospheres.
- Do not carry out any work in a potentially explosive atmosphere.

To remove any potentially explosive atmosphere, purge the system with fresh air before you work on it.
- Use only tools that have been approved for use in areas with potentially explosive atmospheres.

Failure to comply with these safety notes may lead to an explosion.

Volume flow rate setting ranges

Nominal size	V̇ [l/s]		V̇ (m³/h)	
	min	max	min	max
200 × 100	39	164	140	590
300 × 100	65	260	234	936
300 × 150	82	460	295	1656
300 × 200	120	515	432	1854
400 × 200	200	875	720	3150
500 × 200	180	900	648	3240
600 × 200	225	1010	810	3636
400 × 250	200	885	720	3186
500 × 250	235	1190	846	4284
600 × 250	300	1310	1080	4716
400 × 300	310	1280	1116	4608
500 × 300	365	1580	1314	5688
600 × 300	350	1750	1260	6300
400 × 400	400	1750	1440	6300
500 × 400	360	1800	1296	6480
600 × 400	450	2020	1620	7272

Nominal size	\dot{V} [l/s]		\dot{V} (m³/h)	
	min	max	min	max
500 × 500	470	2380	1692	8568
600 × 500	600	2620	2160	9432
600 × 600	700	3500	2520	12600

Setting the volume flow rate

Sufficient duct pressure must be ensured for all operating conditions and for all control units. The measurement points for fan speed control must be selected accordingly.

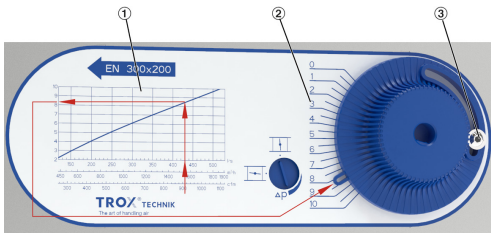


Fig. 7: Setting the volume flow rate

1. ▶ Using the volume flow rate scale (Fig. 7/1), determine the setting value (1-10) for the desired volume flow rate (l/s, m³/h, or cfm).
2. ▶ Loosen the hexagon socket screw (Fig. 7/3).
3. ▶ Set the rotary knob to the determined value of the setting scale (Fig. 7/2) and fix it with the hexagon socket screw (Fig. 7/3).

No further measurement or adjustment is necessary.

Maintenance and cleaning



WARNING!
Risk of explosion!

Ignition sources, such as sparks, open flames or hot surfaces, can lead to explosions in an area with potentially explosive atmospheres.

- Get written permission before you start working in an area with potentially explosive atmospheres.
- Do not carry out any work in a potentially explosive atmosphere.

To remove any potentially explosive atmosphere, purge the system with fresh air before you work on it.

- Use only tools that have been approved for use in areas with potentially explosive atmospheres.

Failure to comply with these safety notes may lead to an explosion.

Maintenance

It is the system owner's duty to set up a maintenance schedule, taking the actual operating conditions (contamination, operating time etc.) of the ventilation system into consideration.

Important: Do not lubricate the bearings of the damper blade.

Maintenance jobs to be carried out regularly:

- Visually check the controller for contamination, damage and corrosion. Remove contamination; if the controller has been damaged, or if there is any corrosion, replace the controller.
- Check the fixing of the controller and of the connected ductwork.
- Check equipotential bonding.

Replacement parts

Incorrect replacement parts



WARNING!

Risk of injury from the use of incorrect replacement parts!

Incorrect or faulty replacement parts pose a risk to health and safety, and their use can cause malfunction, damage to property and total failure of equipment.

- Use only original replacement parts from TROX.

Cleaning

Please note:

- The cleaning intervals given in the VDI 6022 standard apply.
- Clean surfaces with a damp cloth.
- Use only common household cleaners, do not use any aggressive cleaning agents.
- Do not use cleaning agents that contain chlorine.

Declaration of conformity



EG Konformitätserklärung

EC Declaration of conformity
Déclaration de conformité

TROX GmbH
Heinrich-Trox-Platz
D-47504 Neukirchen-Vluyn

Hiermit erklären wir, dass die Maschine/Baugruppe
We hereby declare that the machine / module
que le module / la machine

Volumenstromregler Serie EN-Ex ab 01.04.2019

CAV controller type EN-Ex from 01 April 2019
Régulateur de débit série EN-Ex 01.04.2019

Folgenden Richtlinien entspricht:

Complies with the following directives
Est conforme aux directives suivantes

- Richtlinie 2014/34/EU Anhang III
Directive 2014/34/EU annex III
Directive 2014/34/EU appendice III



Angewandte harmonisierte Normen:

Applied harmonized standards
Normes harmonisées appliquées

- EN 60079-0:2012+A11:2013, Explosionsgefährdete Bereiche – Teil 0; Betriebsmittel - Allgemeine Anforderungen
IEC 60079-0:2011, modified + Cor.:2012 + Cor.:2013; German version EN 60079+0:2012 + A11:2013
Explosive atmospheres - Part 0: Equipment - General requirements
EN 60079-0:2013, version allemande: EN 60079+0:2012 + A11:2013,
Atmosphères explosives - matériel - Exigences générales
- EN ISO 80079-36:2016, Explosionsfähige Atmosphären - Teil 36: Nicht elektrische Geräte für den Einsatz in explosionsfähigen Atmosphären – Grundlagen und Anforderungen
ISO 80079-36:2016, Non-electrical equipment for explosive atmospheres - Part 36: Basic method and requirements; German version EN ISO 80079-36:2016
EN ISO 80079-36:2016, Atmosphères explosives - Partie 36: appareils non électriques destinés à être utilisés en atmosphères explosives - Méthodologie et exigences

Kennzeichnung: II 2G Ex h IIC T6 Gb
 Marking: II 2D Ex h IIIC T80°C Db
 Identification:

Neukirchen-Vluyn, 01.04.2019

Jan Heymann
CE-Beauftragter,
Authorised Representative, CE-marked products